



A Division of **TUXEDO** Distributors, LLC.

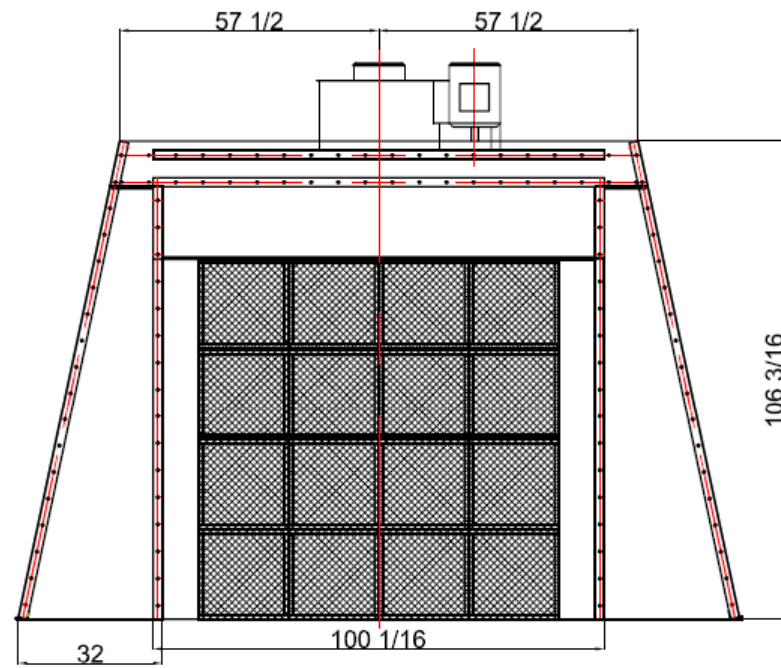
Paint Spray Booths

Model # PSBAFCF23ASY

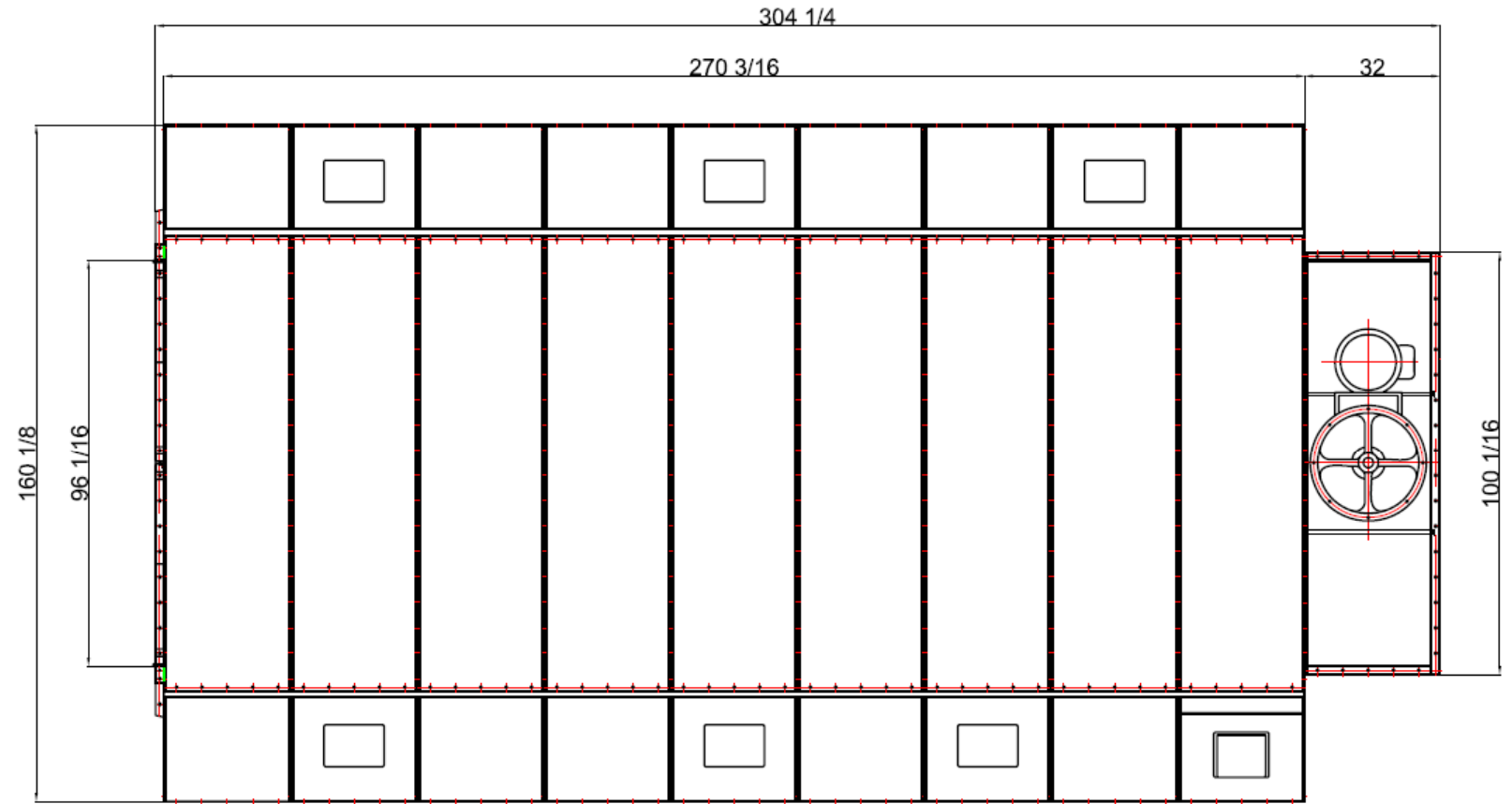
Detailed BOM List &

Assembly Detail Diagrams

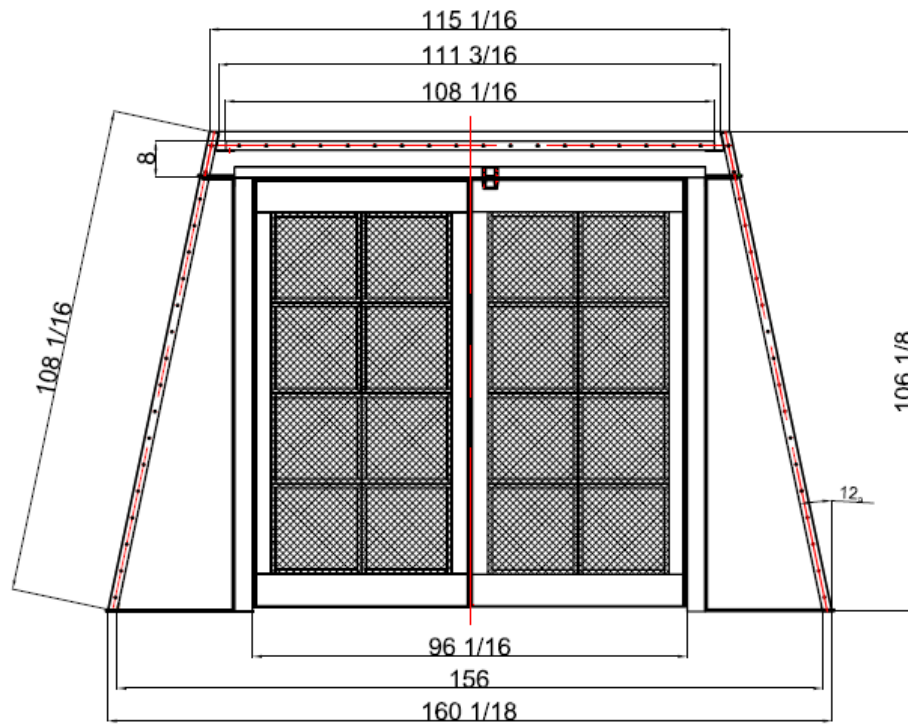
(PSB-AFCF23ASY) FLOOR PLAN & ELEVATION DIMENSIONS



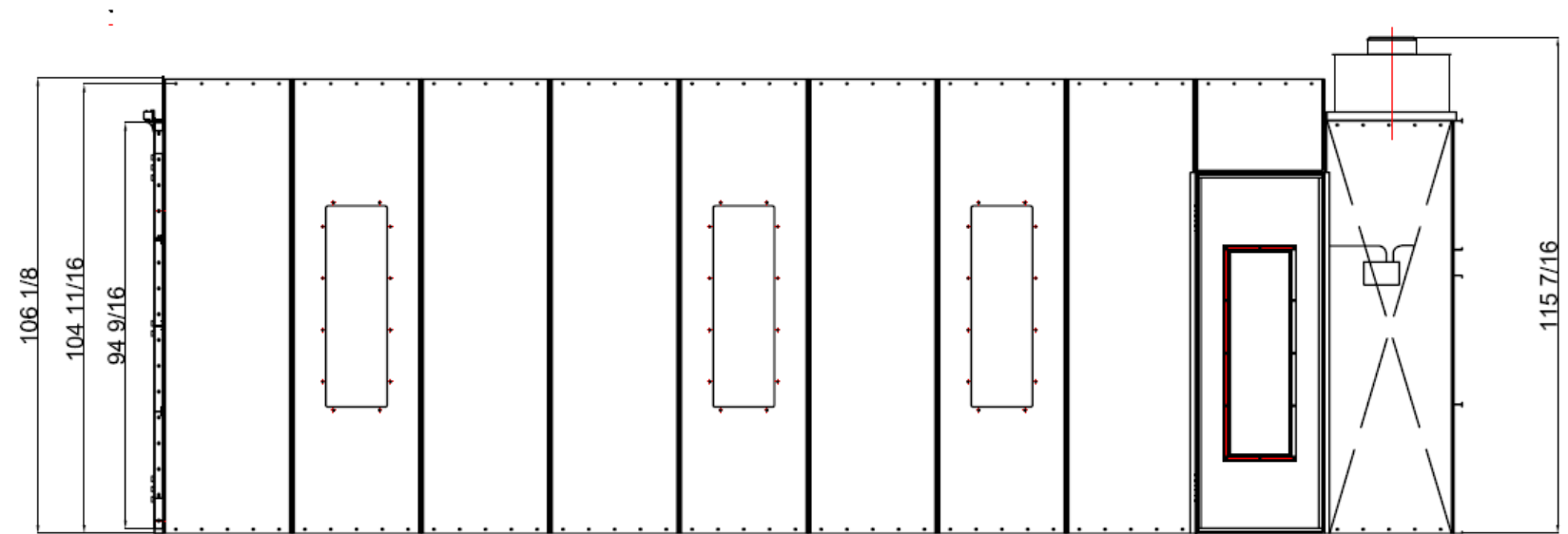
END VIEW @ CHAMBER



PLAN VIEW

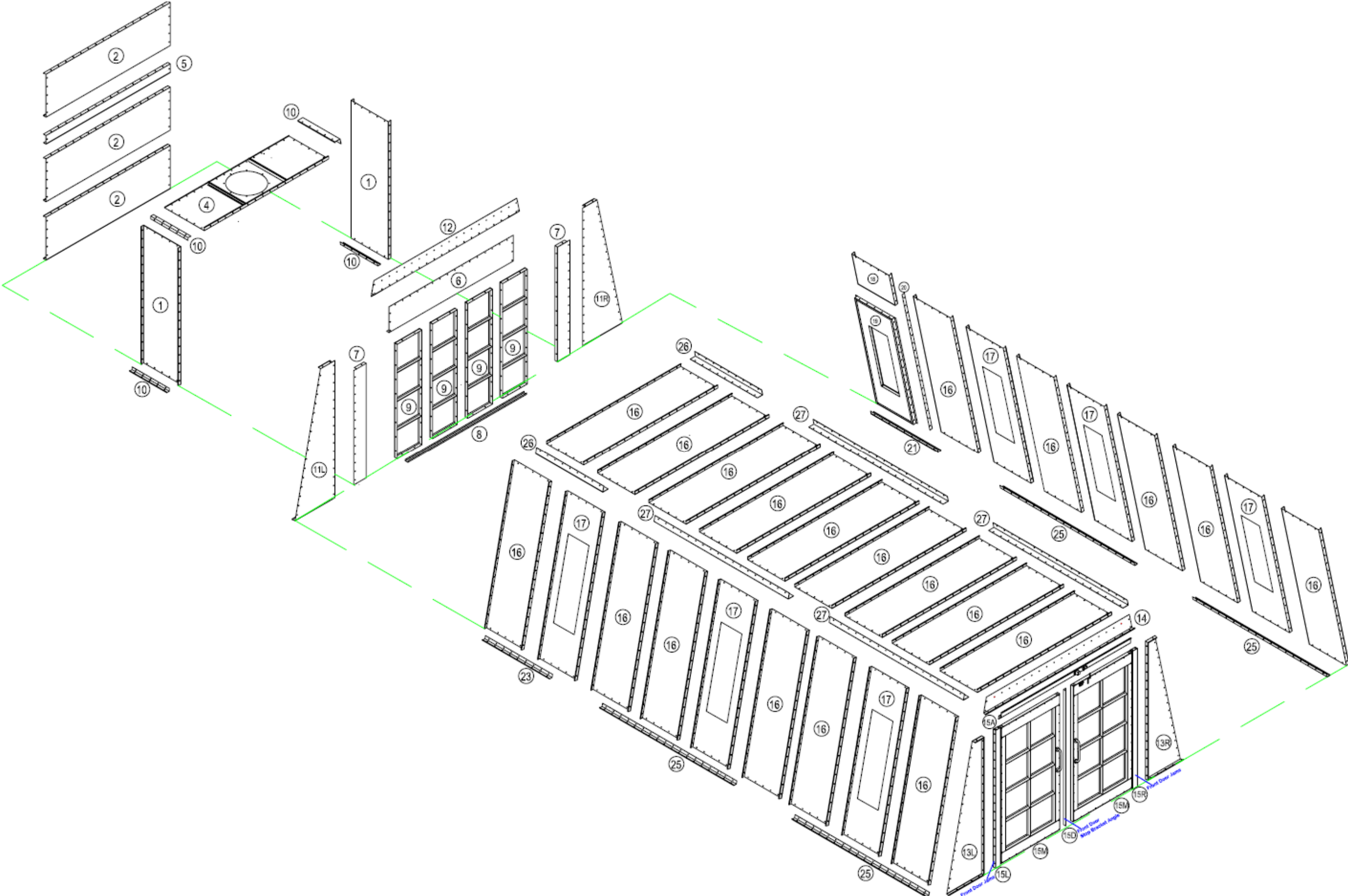


END VIEW FROM BAY END

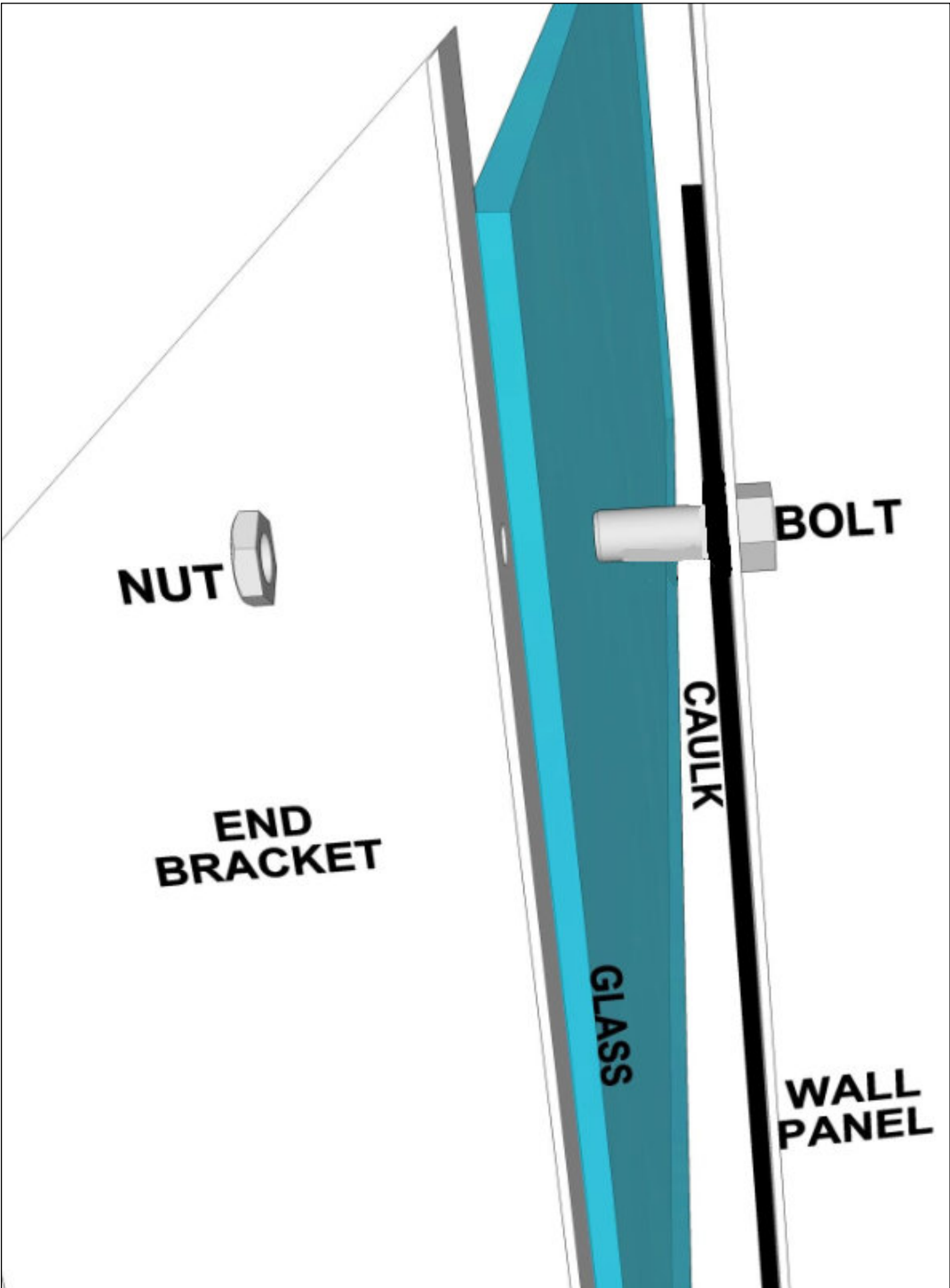
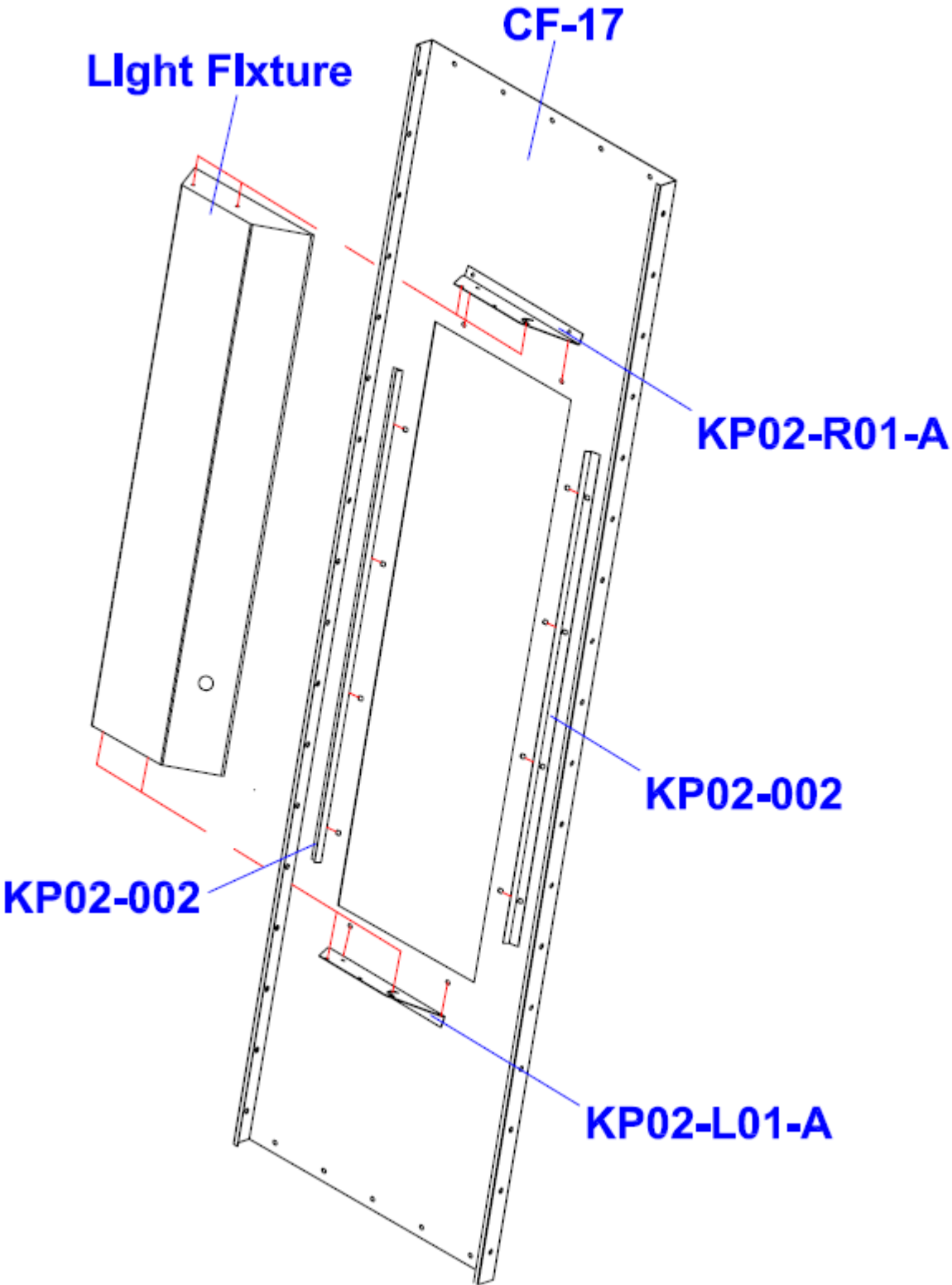


BOOTH SIDE VIEW

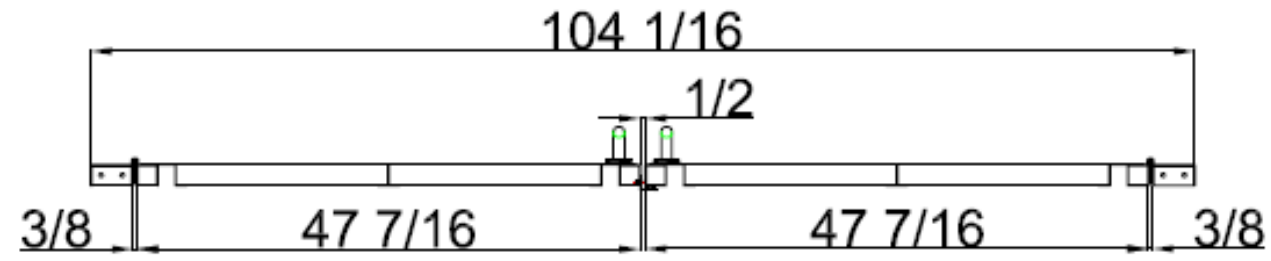
(PSB-AFCF23ASY) ISOMETRIC VIEW



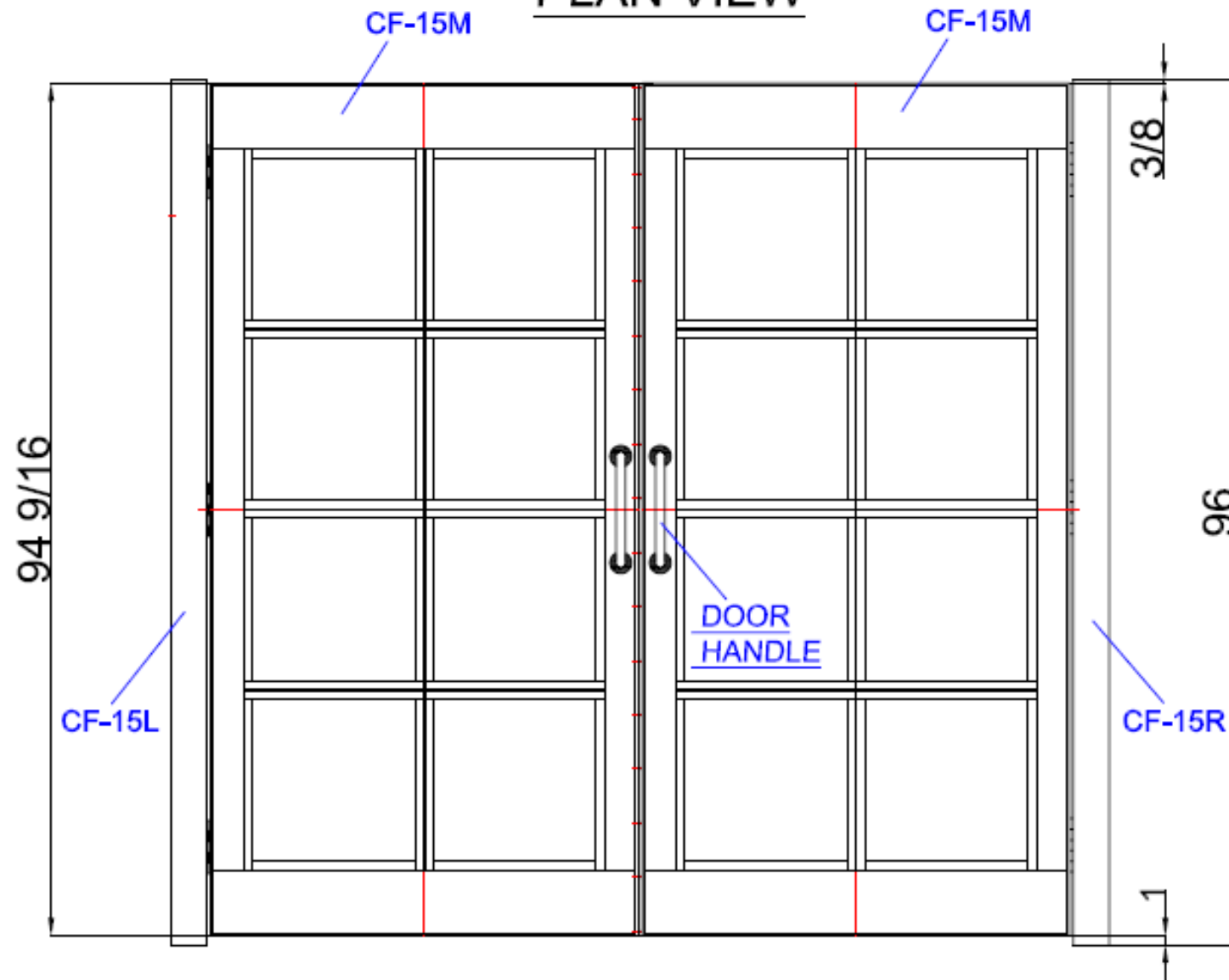
(PSB-AFCF23ASY) – STANDARD LIGHT FIXTURE ASSEMBLY



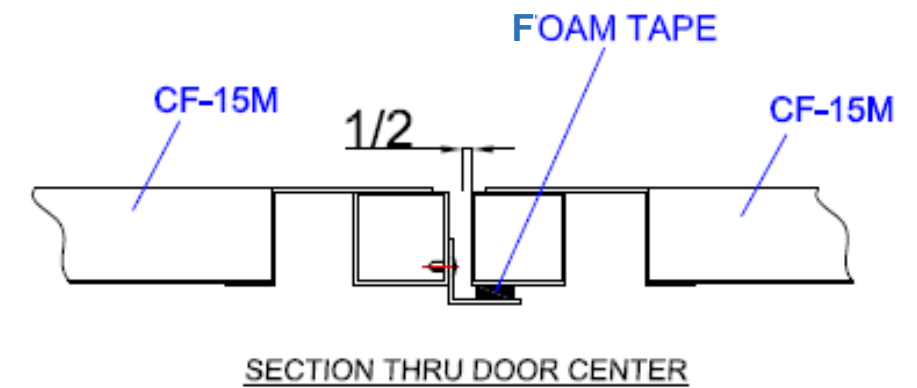
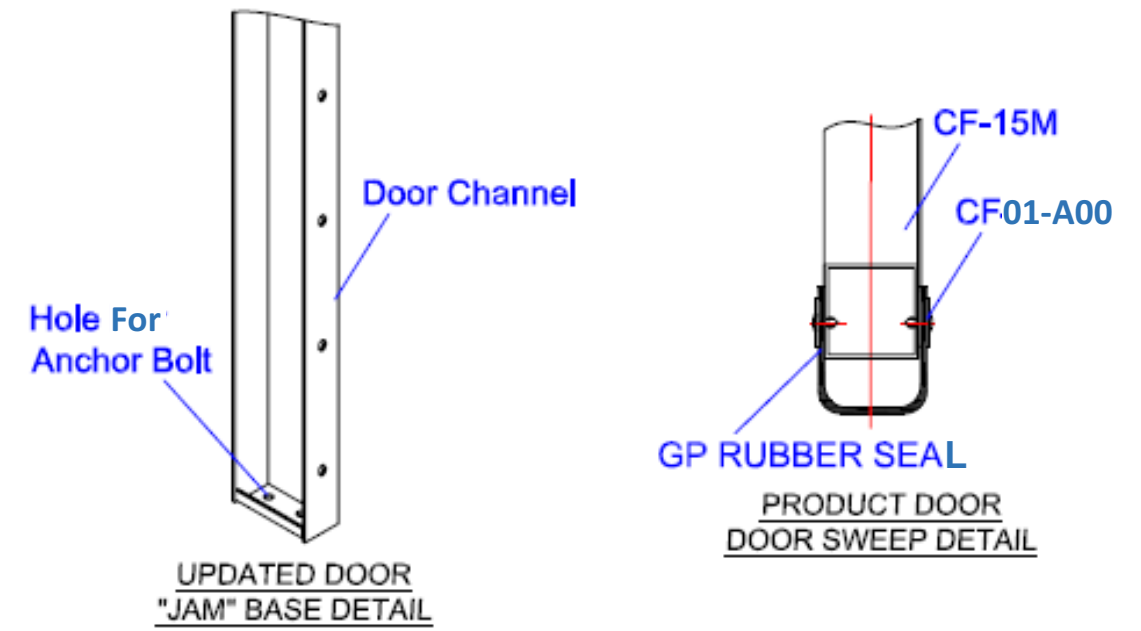
(PSB-AFCF23ASY) – FRONT DOOR ASSEMBLY (A)



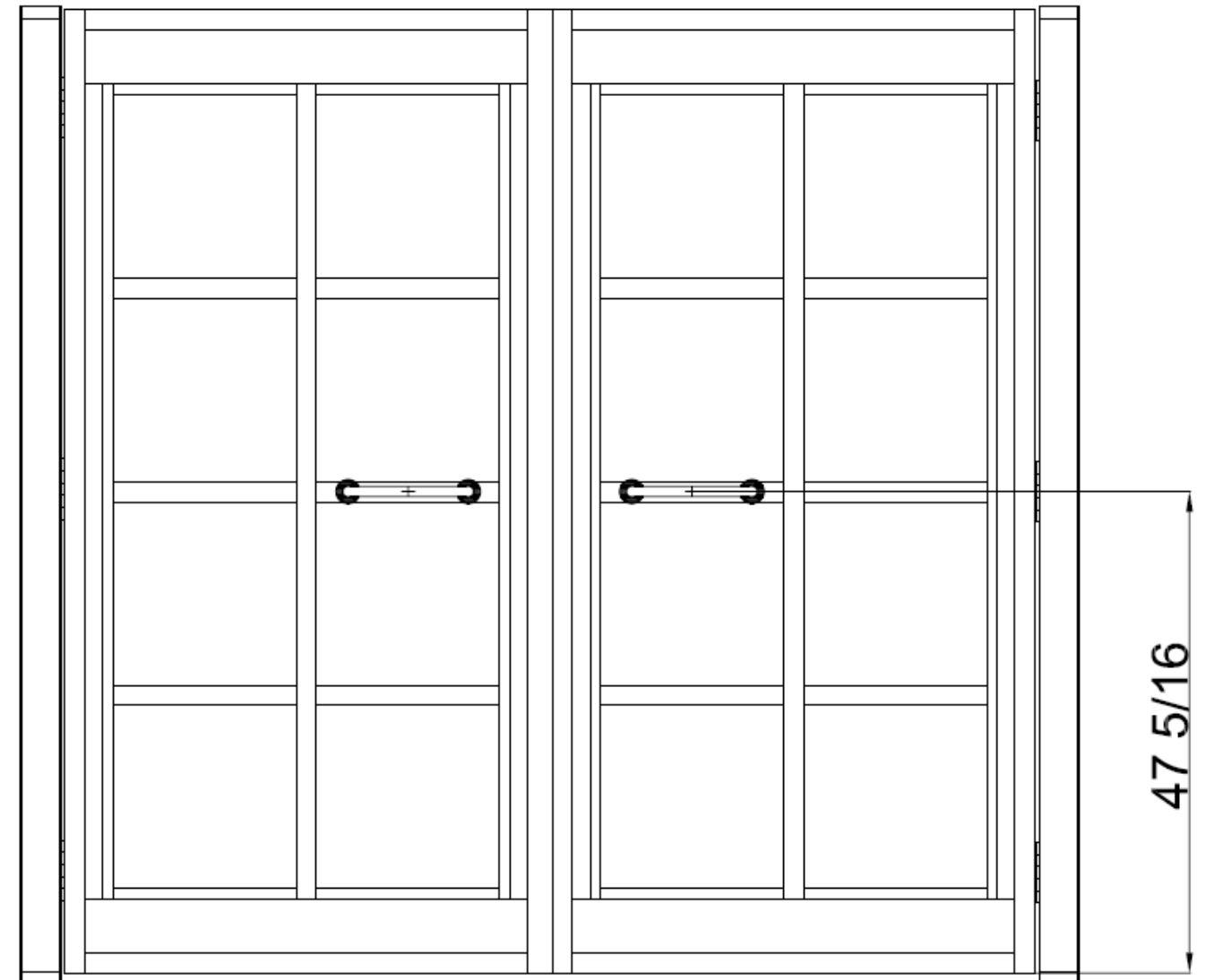
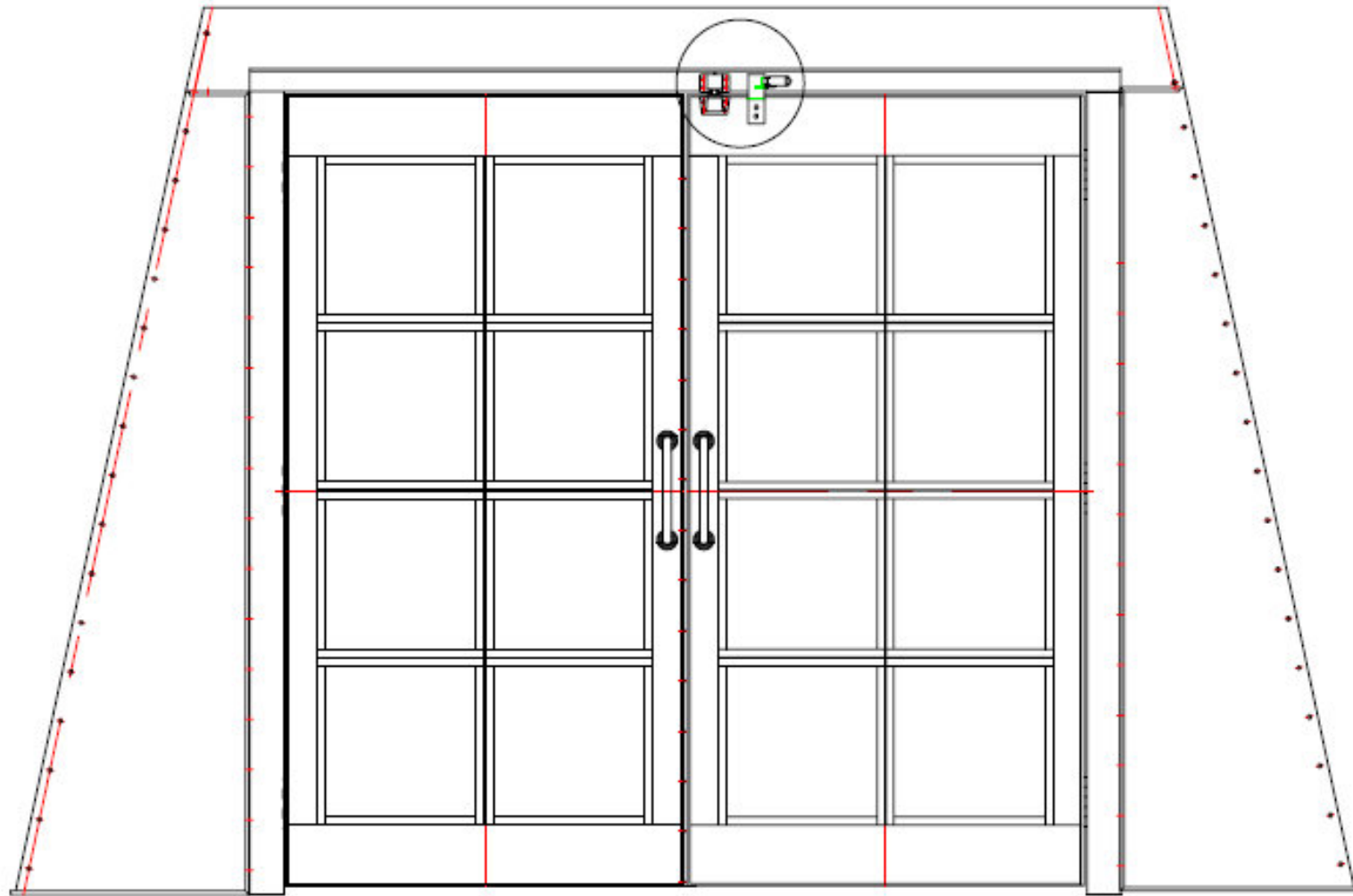
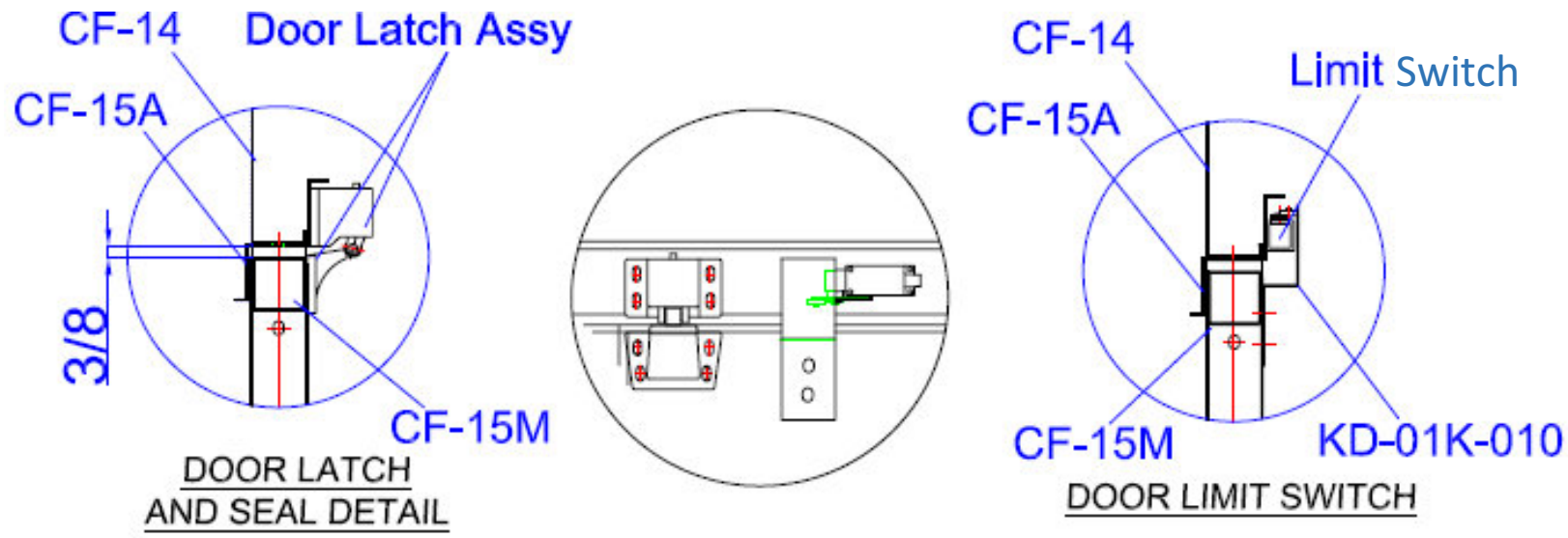
PLAN VIEW



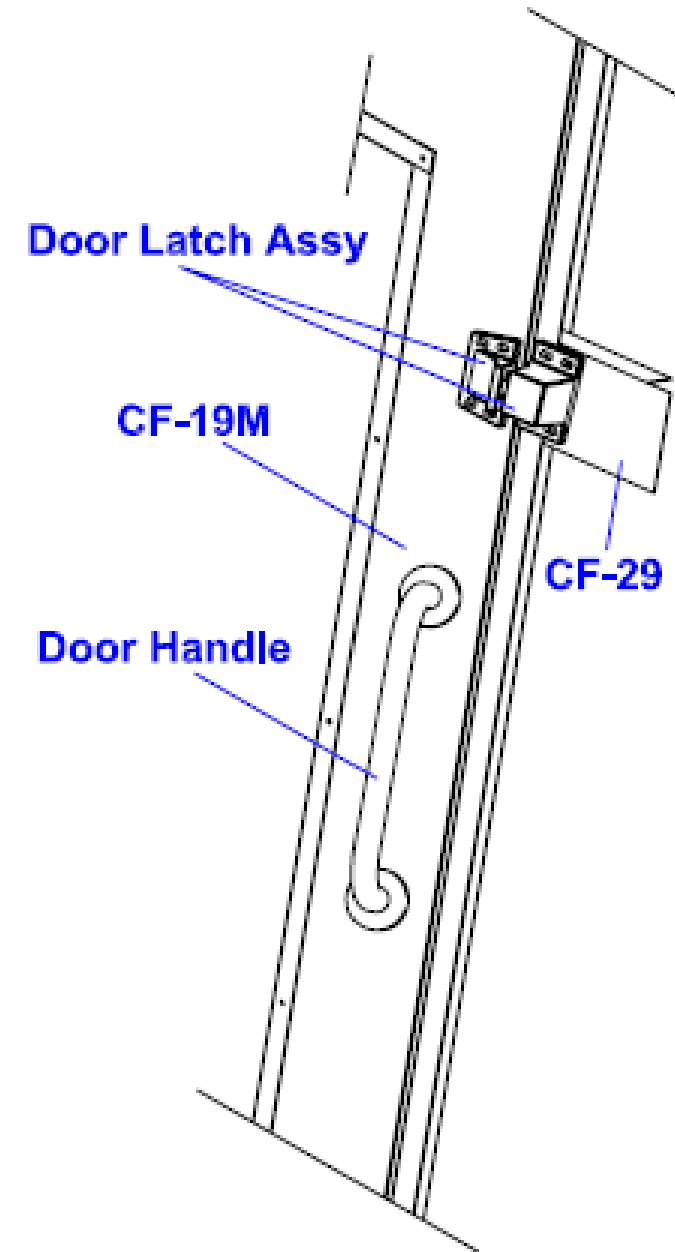
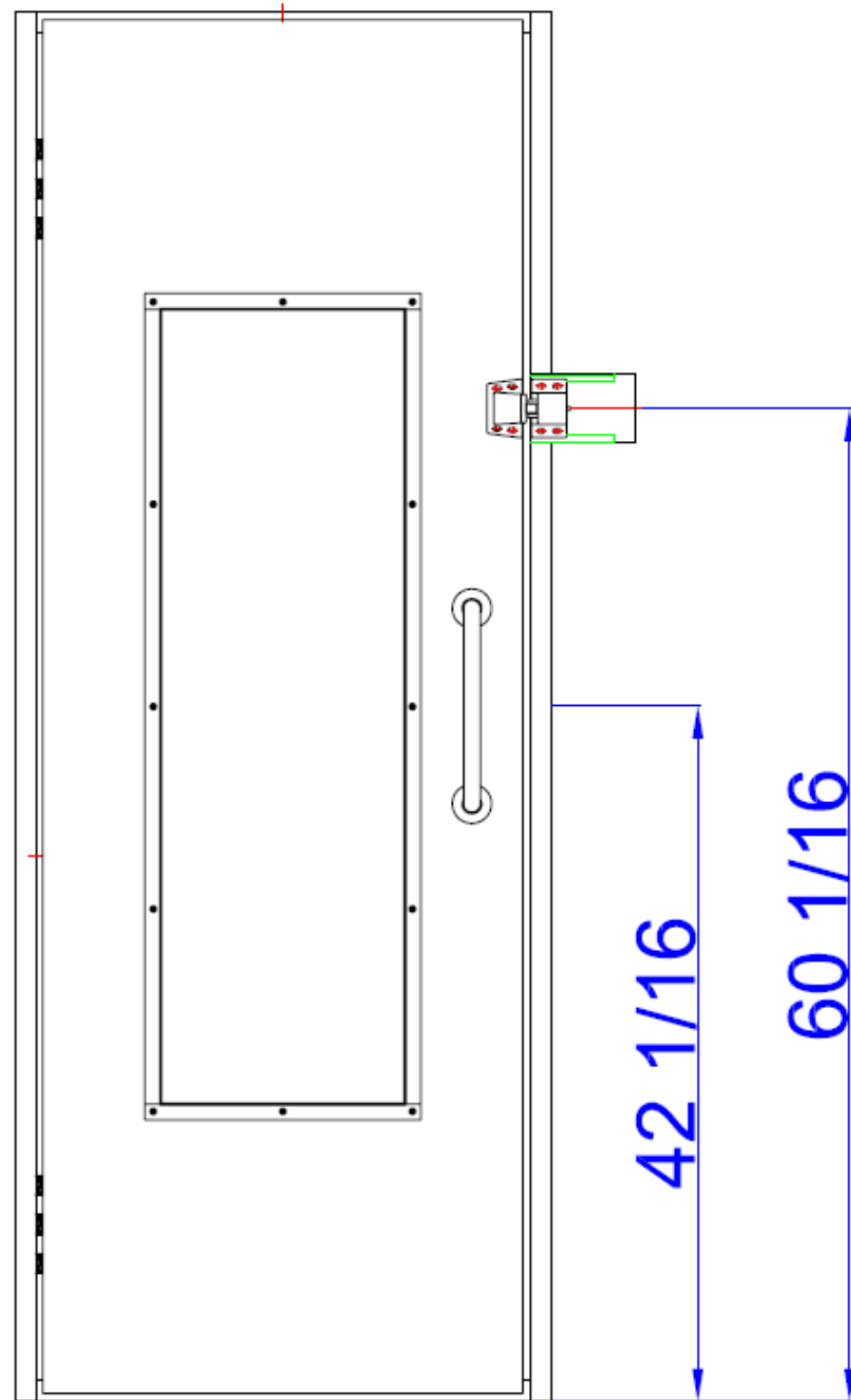
ELEVATION OF DOOR ASSEMBLY (FROM EXTERIOR)



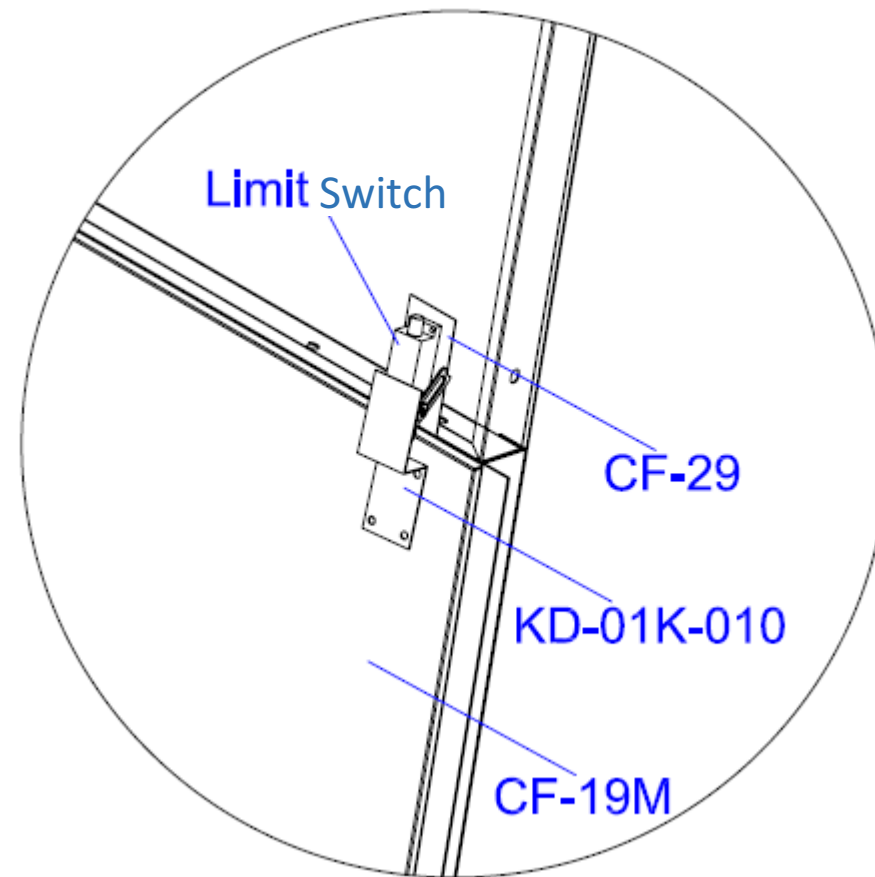
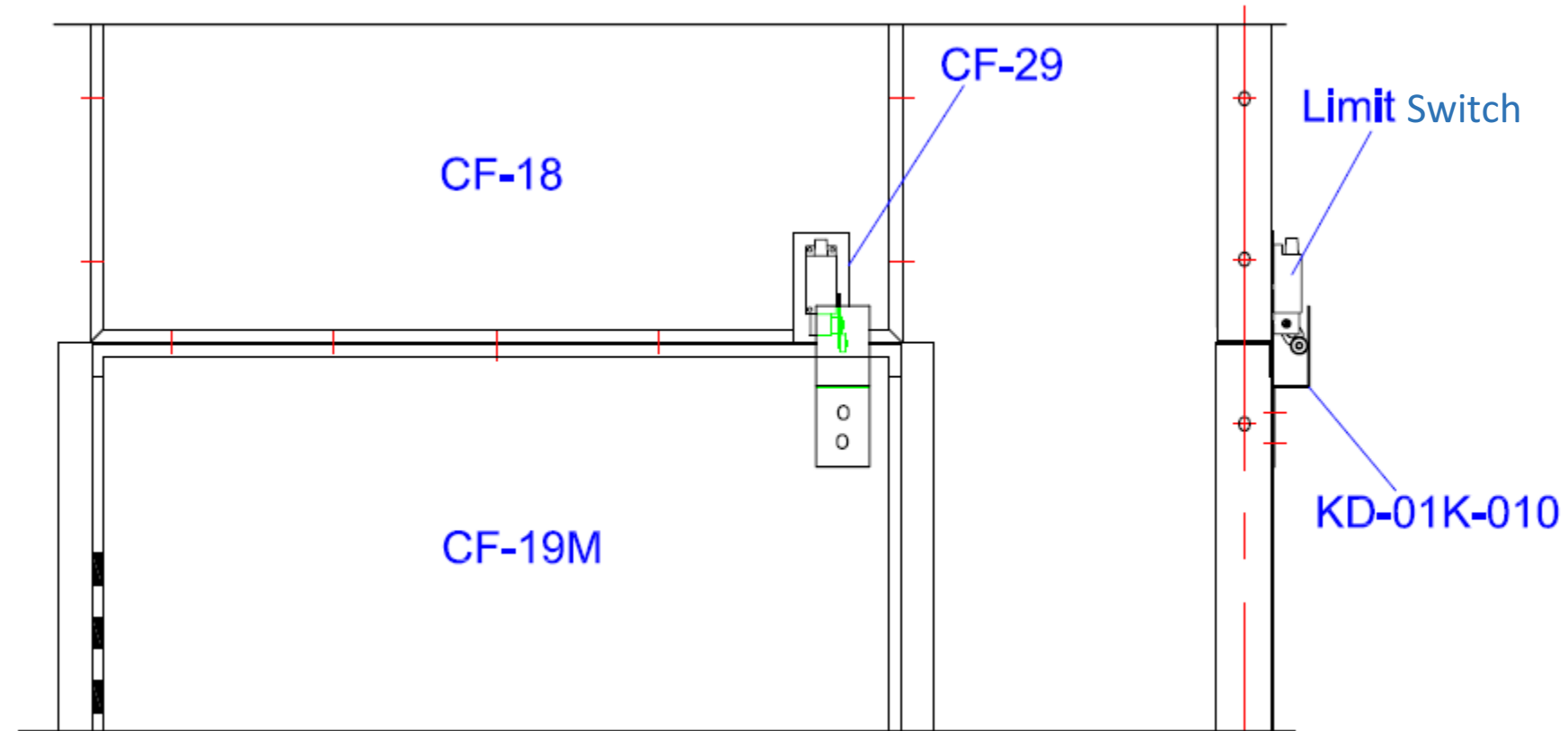
(PSB-AFCF23ASY) – FRONT DOOR ASSEMBLY (B)



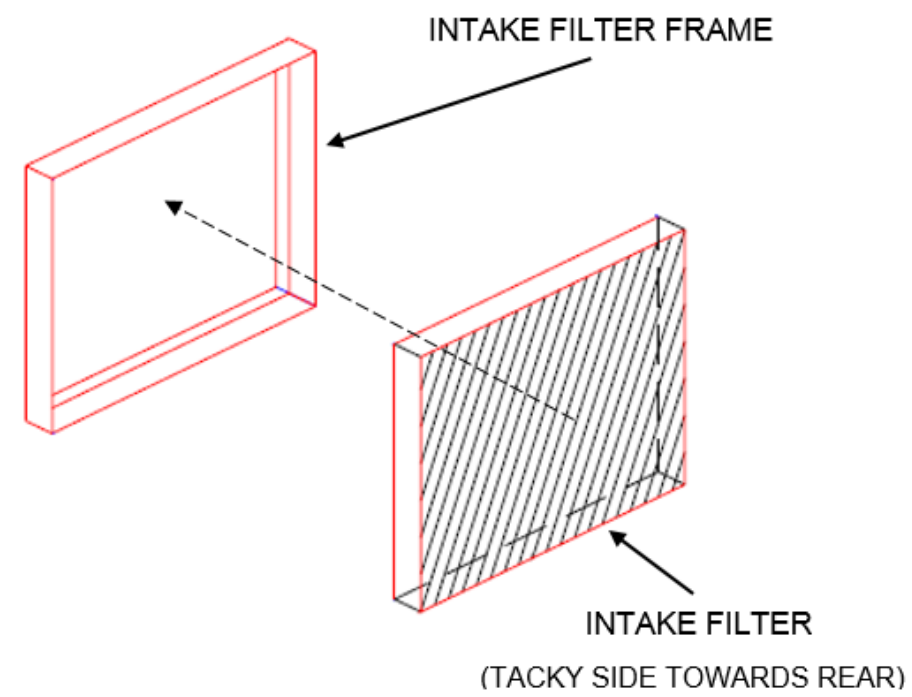
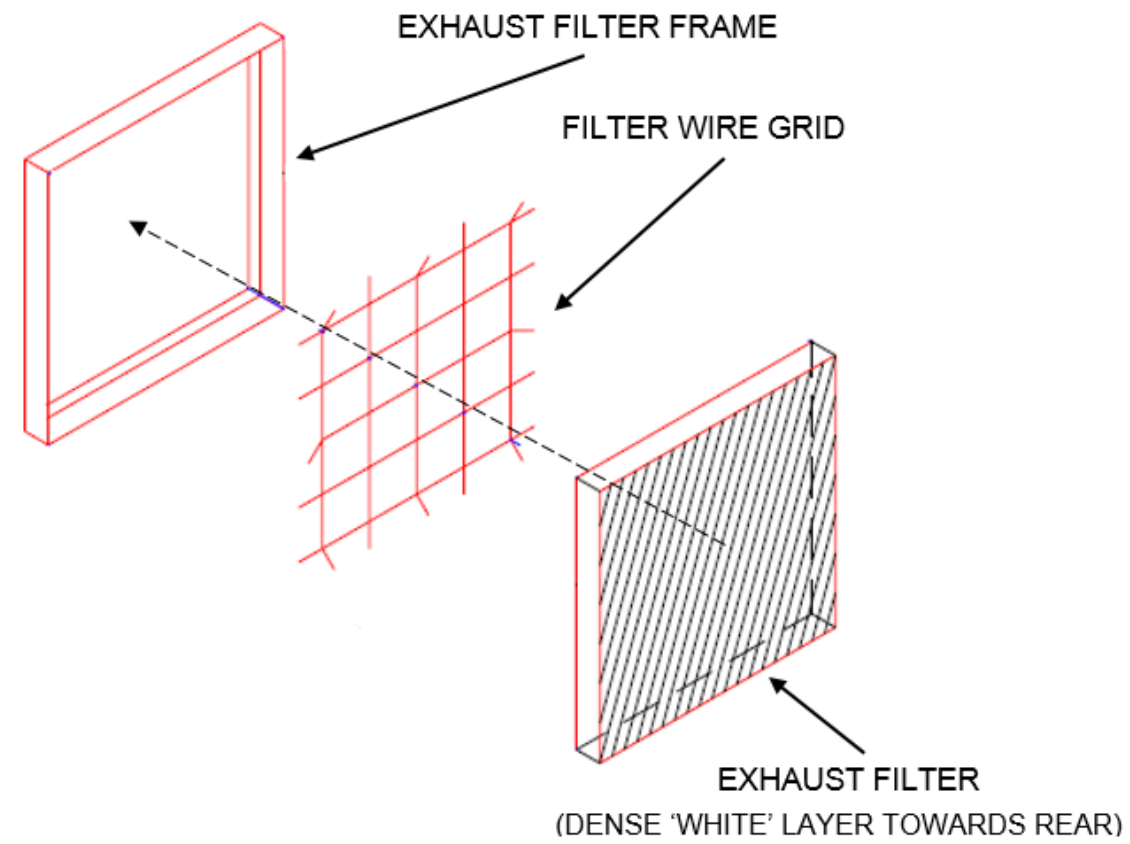
(PSB-AFCF23ASY) – SIDE 'PERSONNEL' DOOR ASSEMBLY (A)



(PSB-AFCF23ASY) – SIDE 'PERSONNEL' DOOR ASSEMBLY (B)



(PSB-AFCF23ASY) – EXHAUST & INTAKE FILTER INSTALLATION



NOTE: Install both Exhaust & Intake Filters with the green shaded color towards inside of Booth