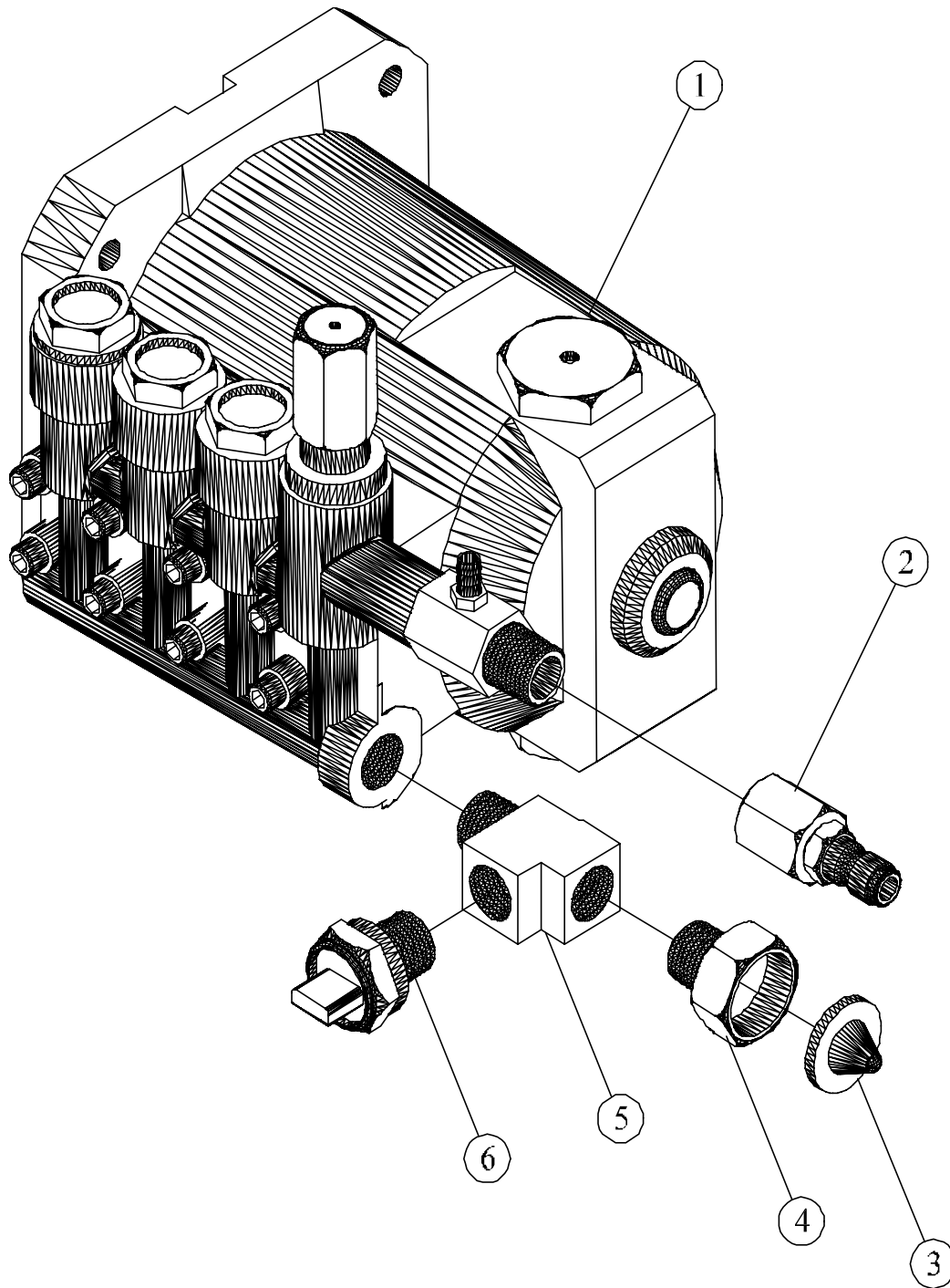


JENNY PRODUCTS INC.
 HPJ1020-E, 115/60/1, N/C, CAT

HPJ1020-E, 115/60/1, N/C, CAT			
PARTS LIST			
ITEM NO.	DESCRIPTION	QTY.	PART NO.
1	FRAME,CAGE,ROLL,ELECTRIC,SMALL,CPW	1	JD7776-A
2	GRIP,RUBBER,HANDLE	2	JD3589
3	FEET,RUBBER,EJECTOR,PORTABLE	4	LF-PRF
4	HANDLE,FRAME,CAGE,ROLL,ST,PNTD,SMALL,CPW	1	JD7776-B
5	WHEEL,PNEUMATIC,8-1/2"ODx1/2"ID,BALLBRNG	2	JP2643-G
6	AXLE,FRAME,CAGE,ROLL,ST,PLTD,SMALL,CPW,E	1	JD7776-C
7	KNOB,PLASTIC,BLACK,1"ODX1/4-20ID	1	JD7776-D
8	COLLAR,SCREW,SET,STEEL,PLATED,1/2"ID	2	JD7777-A
9	SCREW,FLANGE,HEX,SERR,ST,PL,5/16-18X3/4	4	JD7905-B
10	TUBING,PVC,CLEAR,3/8ODX1/4ID	4	JD3087
11	CLAMP,SLEEVE,PLASTIC,3/8ID	2	JD2759
12	MOTOR,1.5HP,115-230/60/1,3450RPM,TEFC,CF W/ SWITCH	1	JD7146
13	CONNECTOR,RELIEF,STRAIN,1/4-3/8,1/2NPTM	1	JD1687-06
14	BOOT,SEAL,RUBBER,SWITCH,TOGGLE	1	JD3176
15	CORD,DROP,GFCI,120V,15A,40FT	1	JD7179-A
16	TAG,WARNING,ELECTRIC CORD	1	JD7075
17	GUN,TRIGGER,2200PSI,6GPM,212F	1	JD7154
18	HOSE,WASH,PRESSURE,3000PSI,250F,3/8X50FT	1	JD7790-A
19	DECAL,NAMEPLATE,OIL FIRED	1	JD6251-05
20	DECAL,CLEAR,MYLAR	1	JD6251-08
21	SCREW,SLF TAP,HEX WASHER,PLTD,10-32X1/2 GND	1	JD6219
22	DECAL,LOGO,JENNY,BLUE,SMALL	1	JD7291-B
23	SOCKET,QUICK COUPLING,BRASS,3/8"NPTF	1	JD3102-05
24	NOZZLE,SPRAY,PSI,SS,QCK CON,0 DEG,O#4.0	1	JD7755
25	NOZZLE,SPRAY,PSI,SS,QCK CON,15DEG,O#4.0	1	JD7756
26	NOZZLE,SPRAY,PSI,SS,QCK CON,25DEG,O#4.0	1	JD7757
27	NOZZLE,SPRAY,PSI,SS,QCK CON,40DEG,O#4.0	1	JD7758
28	NOZZLE,SPRAY,SOAP,BR,QCK CON,25DEG,O#40.	1	JD7759
29	GROMMET,RUBBER,BLACK,7/16" I.D.	5	JD3385-01
30	NUT,LOCK,FLANGE,HEX,SERR,ST,PL,5/16-18	4	JD7774-E
31	LANCE,INSULATED,STEEL,ZINC-PLATED,1/4X36	1	JP7080-O
32	STRAINER,CHEMICAL,BRASS,1/4"HOSEBARB	1	JD7140-A
33	SOCKET,QUICK COUPLING,BRASS,1/4"NPTF	1	JD3102-02
34 ASSY SEE FIG 1-1	PUMP,PLUNGER,TRIPLEX,1500PSI,2.0GPM,CAT	1	JD7809
35	PUMP, MOUNTING, BOLTS RECEIVED W/PUMP	4	
36	PUMP, MOUNTING, WASHERS RECEIVED W/PUMP	4	
37	MOTOR, SHAFT, KEY, RECEIVED W/PUMP	1	
	OIL,PUMP,SYNTHETIC,HIGH-PERFORMANCE,1 PT	1	JD7999-B
	OIL,PUMP,SYNTHETIC,HIGH-PERFORMANCE,1 QT	1	JD7999-A
38	DECAL,NOTICE,GROUND,4MILTHK,5YRWHITE	1	JD2344-01



ITEM NO.	QTY.	DESCRIPTION	PART NO.
1	1	PUMP,PLUNGER,TRIPLEX,1500PSI,2.0GPM,CAT	JD7809
2	1	PLUG,QUICK COUPLING,BRASS,3/8"NPTF	JD3103-05
3	1	WASHER,STRAINER,MESH,WIRE,BRASS,#30	JD 809
4	1	GARDEN, HOSE, FITTING, 3/8 W/3/8 SWIVEL NUT SUPPLIED W/PUMP	
5	1	TEE,STREET,BRASS,3/8NPT	JD7872
6	1	VALVE,RELIEF,THERMAL,145F,3/8"NPTM	JD6162-B

FIGURE 1-1 (Pump, Mounting, Fitting, HPJ1020-E, Assy)