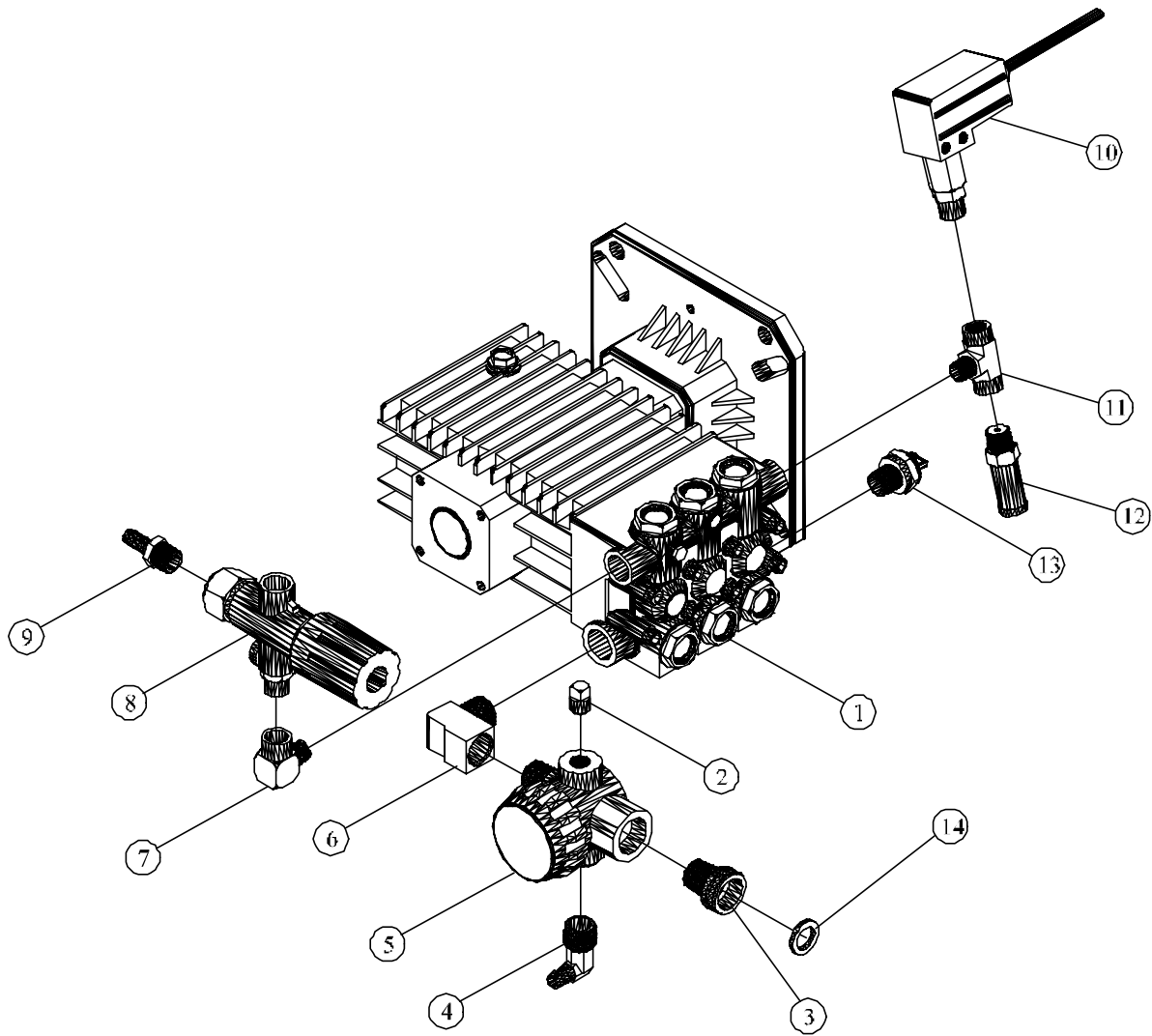


JENNY PRODUCTS INC.
 Elmhurst, Ill., 230V/60HZ/1Ph, N/C

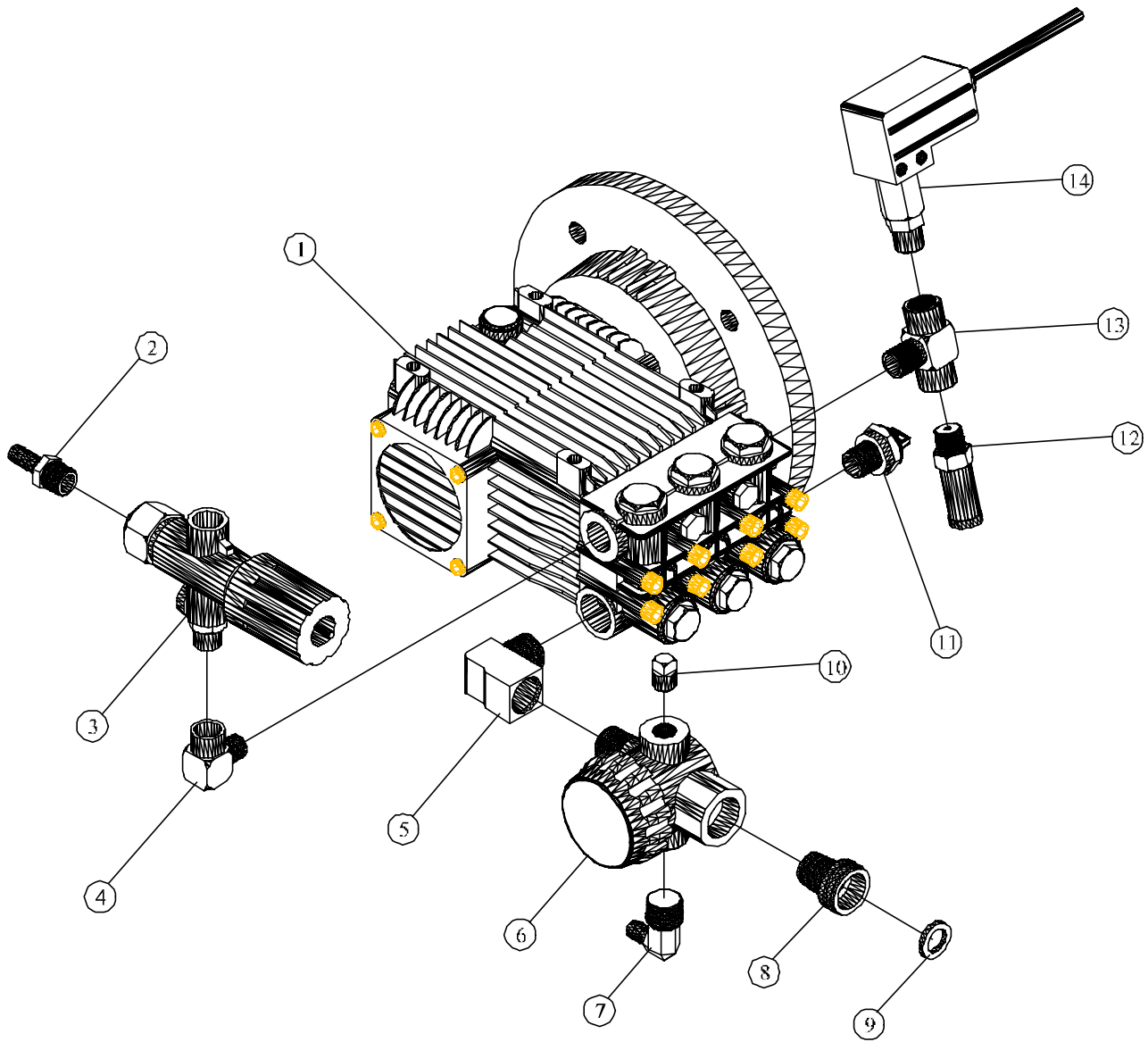
ELHW2042, OEP, 230V/60HZ/1PH,N/C, GEN			
PARTS LIST			
Notes: Figure 20- (Common Parts)			
Electrical Dia. Files Jw 401			
ITEM NO.	DESCRIPTION	QTY.	PART NO.
1	CHASSIS,CAGE,ROLL,ELECTRIC,ELHW	1	JD7925
2	AXLE,CHASSIS,STEEL,PLATED,3/4"X27.75L	2	JD7927
3	BRAKE,WHEEL,STEEL,PAINTED,LARGE,CPW	1	JD7775-H
4	COLLAR,BRAKE,WHEEL,STEEL,PLATED,HPJ	2	JD7775-I
5	SCREEN,COVER,MACHINE,ST,PAINTED	1	JP7720-01
6	WASHER,FLAT,SS,7/8ODX5/32IDX20GAUGE	8	JP7720-03
7	RIVET,AL.,160-164HOLE,.063-.125GRP,5/32	8	JP7720-02
8	CASING,COIL,BOLT-ON,STL,PNTD,LARGE,ELHW	1	JD7924
9	DISC,INSULATION,CERAMIC,14-3/8ODX4-1/8X3/8	1	JD7238-A
10	STRAP,RETAINING,VELCRO,CONTAINER,SOLUTION	1	JD7288
11	SCREW,FLANGE,HEX,SERR,ST,PL,1/4-20X1/2	2	JD7904-A
12	NUT,LOCK,FLANGE,HEX,SERR,ST,PL,1/4-20	2	JD7774-D
13	NUT,LOCK,FLANGE,HEX,SERR,ST,PL,#8-32	7	JD7774-A
14	SCREW,FLANGE,HEX,SERR,ST,PL,8-32x1/2	3	JD7901-C
15	WASHER,FLAT,STEEL,PLATED,#8	4	JD 610-02
16	SCREW,FLANGE,HEX,SERR,ST,PL,5/16-18X1/2	8	JD7905
17	COIL,OIL FIRED,3/8"PIPE,SCH80	1	JP2610-D
18	ASSY SEE FIG 1-3	1	JD7635
19	NUT,FLARE,BRASS,1/4-45SAE	1	JD 661
20	TUBING,COPPER,1/4ODX.03WALL	0.25	JD1720
21	RING,CASING,COIL,SS,7-15/16ID	1	JD2140-B
22	POT,FIRE,SS	1	JL 133
23	SCREW,SLF DRL,HEX WASHER,PLTD,#10x5/8	3	JD7074-A
24	WHEEL,PNEUMATIC,10"ODX3/4"ID,BALL BEARING	4	JP2643-F
25	CONNECTOR,RELIEF,STRAIN,5/8-3/4,3/4NPTM	3	JD1687-17
26	NUT,LOCK,CONDUIT,STEEL,PLATED,1/2"	4	JP 809
27	MOTOR,5HP,208-230/60/1,1725RPM,TEFC,F2	1	JB3012
28	WIRE,SJO,CPE,BLACK,18/4	5	JE 440
29	WIRE,SJO,CPE,BLACK,10/3	3	JE 446
30	SCREW,FLANGE,HEX,SERR,ST,PL,5/16-18X3/4	4	JD7905-B
31	NUT,LOCK,FLANGE,HEX,SERR,ST,PL,5/16-18	4	JD7774-E
32	INJECTOR,CHEMICAL,FIXED,3-4GPM,3/8NPTMxF	1	JD7862
33-A	ASSY SEE FIG 1-1A	1	JD7812
33-B	ASSY SEE FIG 1-1B	1	JD7495
34	CONNECTOR,FEMALE,BRASS,1/4-45SAEX1/8NPT	1	JD7264
35	STRAINER,CHEMICAL,BRASS,1/4"HOSEBARB	1	JD7140-A
36	SWIVEL,FLARE,BARB,HOSE,BR,1/4HSX1/4-45	2	JD3590
37	HOSE,AIR,FUEL,300PSI,212F,1/4",BLUE	7.25	JE 490
38	TUBING,PVC,CLEAR,3/8ODX1/4ID	9	JD3087
39	CLAMP,SLEEVE,PLASTIC,3/8ID	4	JD2759
40	SCREW,FLANGE,HEX,SERR,ST,PL,8-32x3/8	4	JD7901-B
41	SWITCH,CAM,ROTARY,DP,W/ENCLOSURE,1PH,5HP	1	JD7962
42	BRACKET,SWITCH,CAM,ROTARY,DP,ELHW	1	JD7928
43	SCREW,MACHINE,PHILLIP,ST,PL,8-32X3/4	2	JD1000
44	TEE,STREET,STEEL,PLATED,3/8"NPT	1	JD 860-02
45	HOSE,HYD,3K PSI,21"L,3/8NPTF,90D-3/8NPTM	1	JD7829
46	GROMMET,RUBBER,BLACK,5/8"ID.	8	JD3385
47	CORD,DROP,GFCI,240V,30A,40FT	1	JD7179-F
48	CONNECTOR,RELIEF,STRAIN,1/4-3/8,1/2NPTM	4	JD1687-06
49	TAG,WARNING,ELECTRIC CORD	1	JD7075
50	ASSY SEE FIG 1-2	2	JD7965
51	FILTER,OIL,FUEL,IN-LINE	1	JD7227
52	NUT,FLARE,INVERTED,BRASS,1/4TUBEX1/2-20	1	JD7226
53	ELBOW,MALE,BRASS,1/4-45SAEX1/4NPT	1	JD 652
54	GUN,TRIGGER,2200PSI,6GPM,212F	1	JD7154

55	HOSE,WASH,PRESSURE,3000PSI,250F,3/8X50FT	1	JD7790-A
56	SOCKET,QUICK COUPLING,BRASS,3/8"NPTF	1	JD3102-05
57	PLUG,QUICK COUPLING,BRASS,3/8"NPTF	1	JD3103-05
58	TAG,TESTED,FUEL	1	JD7196-01
59	DECAL,NOTICE,GROUND,4MILTHK,5YRWHT	1	JD2344-01
60	SCREW,SLF TAP,HEX WASHER,PLTD,10-32X1/2	1	JD6219
61	DECAL,CLEAR,MYLAR	1	JD6251-08
62	DECAL,NAMEPLATE,OIL FIRED	1	JD6251-05
63	SOCKET,QUICK COUPLING,BRASS,1/4"NPTF	1	JD3102-02
64	NOZZLE,SPRAY,PSI,SS,QCK CON,0 DEG,O#5.5	1	JD7755-03
65	NOZZLE,SPRAY,PSI,SS,QCK CON,15DEG,O#5.5	1	JD7756-03
66	NOZZLE,SPRAY,PSI,SS,QCK CON,25DEG,O#5.5	1	JD7757-03
67	NOZZLE,SPRAY,PSI,SS,QCK CON,25DEG,O#5.5	1	JD7758-03
68	NOZZLE,SPRAY,SOAP,BR,QCK CON,25DEG,O#40.	1	JD7759
69	DECAL,PANEL,INSTRUCTION,ELHW2042-OEP	1	JD7935
70	GROMMET,RUBBER,BLACK,7/16" I.D.	5	JD3385-01
71	VALVE,NEEDLE,SOLUTION,BRASS,1/4IDHS-BARB	1	JD6248-A
72	NIPPLE,STEEL,SCH80,3/8NPTX2-3/4LONG	4	JD 968
73	SCREW,CAP,HEX HD,ST,PL,5/16-18X3/4"	2	JD 556
74	WASHER,LOCK,SPLIT,STEEL,PLATED,5/16"	2	JD 612
75	GROMMET,RUBBER,BLACK,1-1/2,I.D.	1	JP 675
76	THERMOSTAT,IMMERSION,SP,ST,NC,240 DEG F	2	JD7137
77	CONNECTOR,MALE,BRASS,1/4-45SAEX1/4NPT	1	JD 659
78	CLAMP,HOSE,NYLON,BLACK,.593/.656DIA	1	JD7859-D
79	CLAMP,CABLE,NYLON,7/8"	3	JD2158
80	CLAMP,CABLE,NYLON,#10SCREW,5/8"	2	JD1520
81	DECAL,INDICATOR,HANDLE,VALVE,SOLUTION	1	JD7143
82	LANCE,INSULATED,STEEL,ZINC-PLATED,1/4X36	1	JP7080-O
83	NOZZLE,BURNER,OIL,1.75GPH,80 DEG,S.C.	1	JB1510
84	CLAMP,GEAR,WORM,SS,7/16 TO 25/32" DIA.	2	JD3068
85	SPLICER,HOSE,BRASS,BARB,1/4"	1	JD7849
86	COLLAR,SCREW,SET,STEEL,PLATED,3/4"ID	4	JD7777
87	TUBING,PVC,REINFORCED,3/8"ID	1.6'	JD7575
88	NUT,LOCK,CONDUIT,STEEL,PLATED,3/4"	3	JD7728
89	WASHER,STEEL,3/4ID,SAE	4	JP2036-03
NOT SHOWN	DECAL,MADE-IN-THE-USA,JENNY	1	JD6211
NOT SHOWN	DECAL,PACKED,GROOMED,TESTED	1	JD6013
NOT SHOWN	DECAL,DON'T-RUN-IN-BYPASS,4MIL	1	JD6212



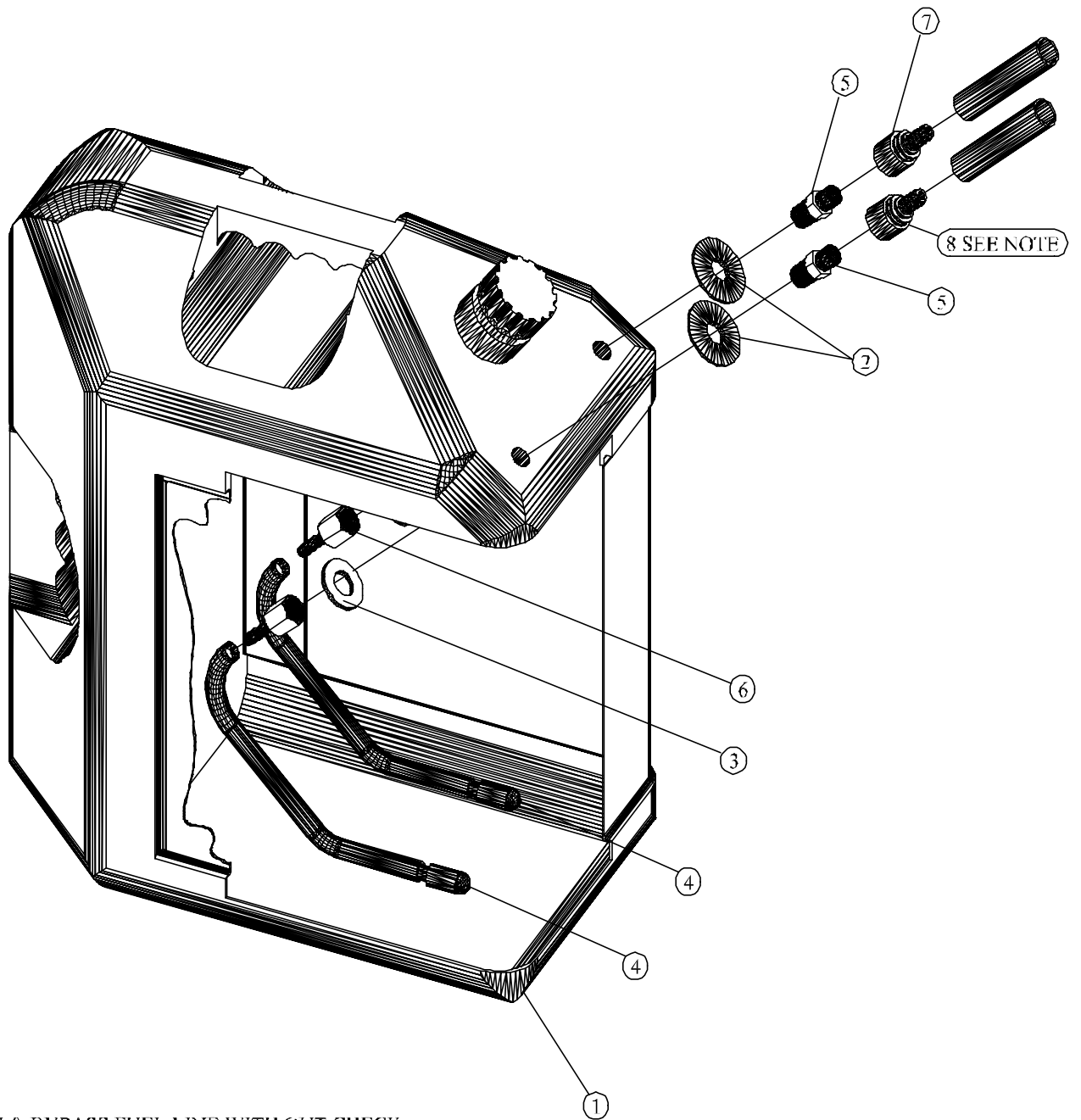
ITEM NO.	QTY.	DESCRIPTION	PART NO.
1	1	PUMP, PLUNGER, TRIPLEX, 2500PSI, 4.2GPM, GEN	JD7812
2	1	PLUG, HEAD, SQUARE, BRASS, 1/4NPT	JD 679-02
3	1	CONNECTOR, BR, 3/4GARDEN HOSEX1/2NPTM, SWIV	JD7142
4	1	BARB, HOSE, ELBOW, MALE, BRASS, 3/8HSX1/4NPT	JD7150
5	1	STRAINER, WATER, IN-LINE, ALUMINUM, 1/2"NPT	JD7782
6	1	ELBOW, STREET, BRASS, FORGED, 1/2NPT	JD 800-01
7	1	ELBOW, STREET, STEEL, PLATED, 3/8NPT	JD3717-03
8	1	VALVE, UNLOAD, PSI ACT, 2000PSI, 6GPM	JD3324-F
9	1	BARB, HOSE, MALE, BRASS, 3/8HSX3/8NPT	JD2855-B
10	1	SWITCH, PSI, SP, ST, NO, 15A, 230V, 3/8NPT	JD3977
11	1	TEE, BRANCH, MALE, STEEL, PLATED, 3/8NPT	JD7866
12	1	VALVE, RELIEF, 2400-3000PSI, 160F, 3/8NPTM	JD7048-A
13	1	VALVE, RELIEF, THERMAL, 145F, 1/2"NPTM	JD6162-A
14	1	WASHER, RUBBER, HOSE, GARDEN, W/O SCREEN	JD 809-01

FIGURE 1-1A (PUMP, GEN., FITTING, ELHW2042, OEP, ASS'Y)



ITEM NO.	QTY.	DESCRIPTION	PART NO.
1	1	PUMP,PLUNGER,TRIPLEX,2000PSI.4.2GPM,AR	JD7495
2	1	BARB,HOSE,MALE,BRASS,3/8HSX3/8NPT	JD2855-B
3	1	VALVE,UNLOAD,PSI ACT,2000PSI,6GPM	JD3324-F
4	2	ELBOW,STREET,STEEL,PLATED,3/8NPT	JD3717-03
5	1	ELBOW,STREET,BRASS,FORGED,1/2NPT	JD800-01
6	1	STRAINER,WATER,IN-LINE,ALUMINUM,1/2"NPT	JD7782
7	1	BARB,HOSE,ELBOW,MALE,BRASS,3/8HSX1/4NPT	JD7150
8	1	CONNECTOR,BR,3/4GARDEN HOSEX1/2NPTM,SWIV	JD7142
9	1	WASHER,RUBBER,HOSE,GARDEN,W/O SCREEN	JD 809-01
10	1	PLUG,HEAD,SQUARE,BRASS,1/4NPT	JD 679-02
11	1	VALVE,RELIEF,THERMAL,145F,1/2"NPTM	JD6162-A
12	1	VALVE,RELIEF,2400-3000PSI,160F,3/8NPTM	JD7048-A
13	1	TEE,BRANCH,MALE,STEEL,PLATED,3/8NPT	JD7866
14	1	SWITCH,PSI,SP,ST,NO,15A,230V,3 8NPT	JD3977

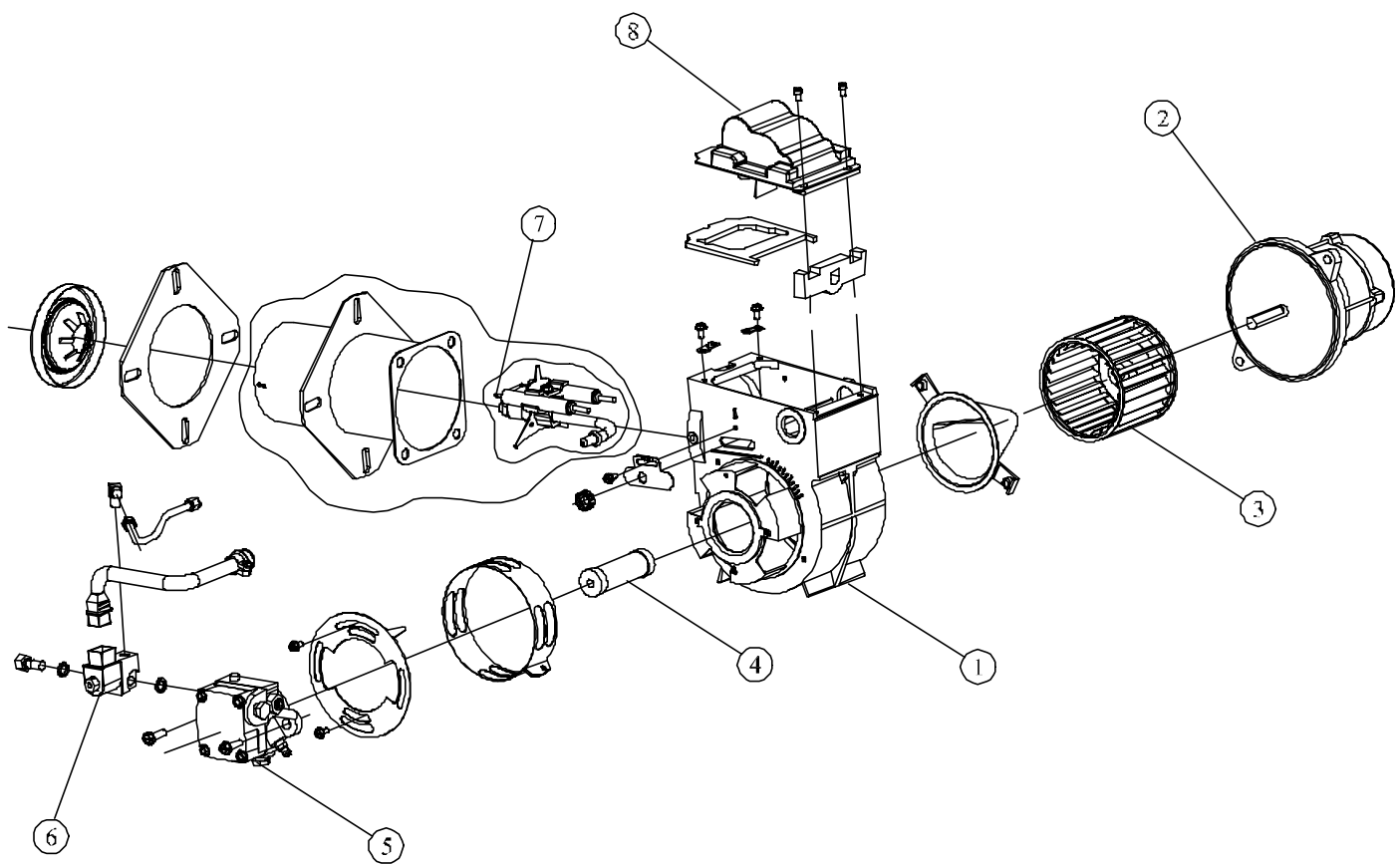
FIGURE 1-1B (PUMP, AR., FITTING, ELHW2042,OEP, ASS'Y)



NOTE:
1) RETURN & BYPASS FUEL LINE WITH OUT CHECK.

ITEM NO.	QTY.	DESCRIPTION	PART NO.
1	1	TANK,FUEL,DIESEL,YELLOW,5 GALLON	JD7965
2	2	WASHER,BONDED,SEALER,MECH/GALV,1/2"X 1"	JD7909
3	2	WASHER,FLAT,STEEL,PLATED,9/16	JD1492
4	2	STRAINER,FUEL,BRASS,W/SCREEN&TUBING	JD7140-B
5	2	PLUG,QUICK COUPLING,BRASS,1/4"NPTM,GAS	JD7778-A
6	2	BARB,HOSE,FEMALE,BRASS,1/4HSX1/4NPTF	JD7828
7	1	SOCKET,QUICK COUPLING,BRASS,1/4"HOSE,GAS	JD7778
8	1	SOCKET,QUICK COUPLING,BR,1/4"HS,W/O-CHK	JD7778-B

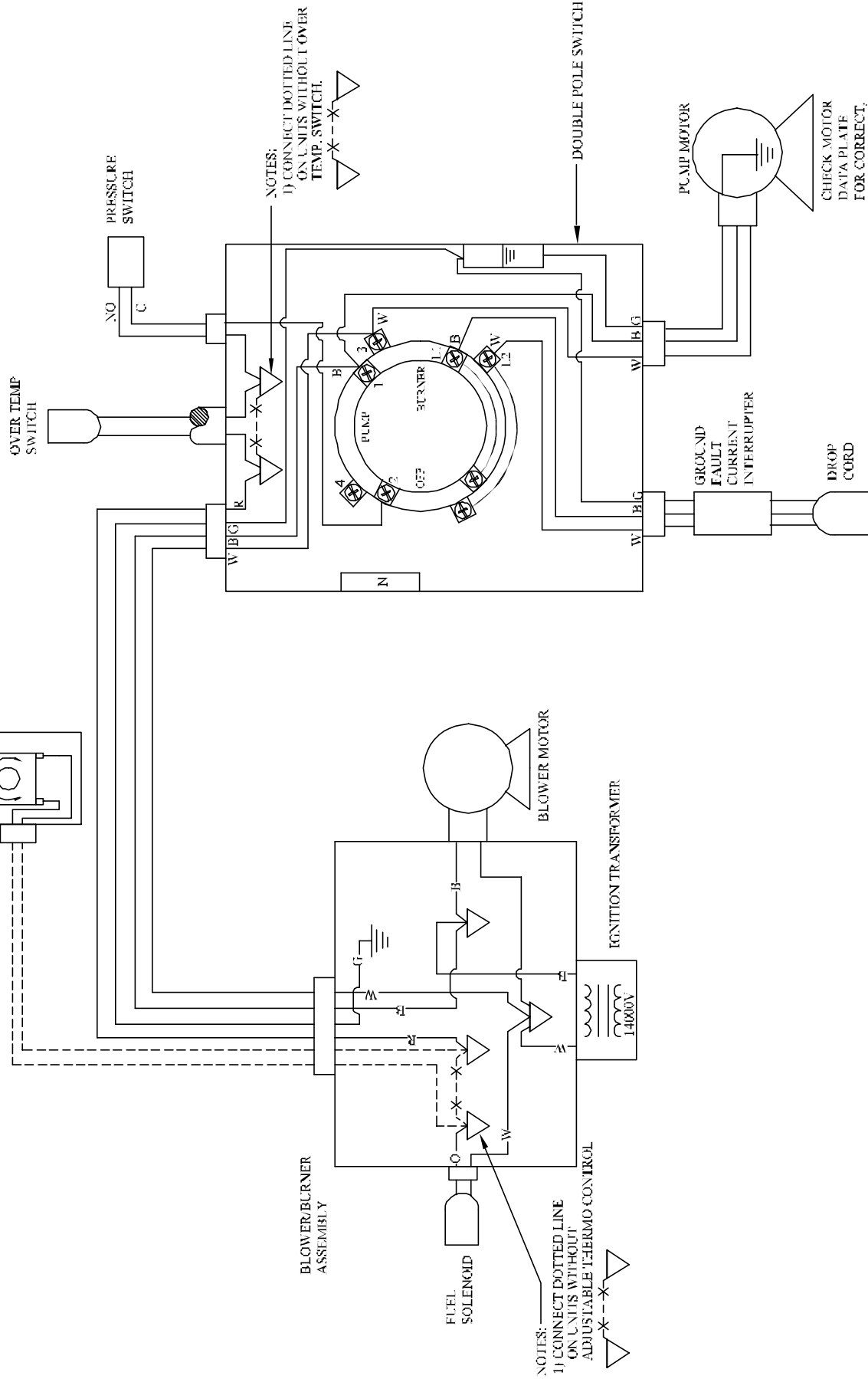
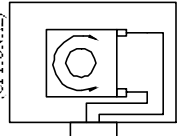
FIGURE 1-2(TANK, FUEL, DIESEL, YELLOW, 5 GAL., JD7956-A, ASS'Y)



ITEM NO.	QTY.	DESCRIPTION	PART NO.
1	1	BURNER, GUN, FIRED, OIL, 230 VOLT ASSY	JD7635
2	1	MOTOR, 1/7HP, 220V, 3450 RPM, BECKETT	JD7634-05
3	1	WHEEL, BLOWER, ST	JD7634-02
4	1	COUPLING, ASSY, PLASTIC, FUEL, PUMP, BECKETT	JD7634-03
5	1	PUMP, OIL, FUEL, SINGLESTAGE, 3GPH, 3450RPM	JD3306-D
6	1	VALVE, SOLENOID, FULE, 230V, 1/8NPT	JD3306-C
7-A	1	NOZZLE, BURNER, OIL, 1.75GPH, 80 DEG. H.C. <small>1030,1530,2036, 3040,2042 MODELS</small>	JB1510
7-B	1	NOZZLE, BURNER, OIL, 1.25GPH, 80 DEG. H.C. <small>1021,1421 MODELS</small>	JB1515
8	1	TRANSFORMER, IGNITION, 220V PRIM, 10,000SEC	JD7634-06

FIGURE 1-3 (BURNER, GUN, FIRED, OIL, JD7634 & JD7635 ASSY)

ADJUSTABLE THERMO CONTROL
(OPTIONAL)



NOTES:
1) CONNECT DOTTED LINE ON UNITS WITHOUT OVER TEMP SWITCH.

NOTES:
1) CONNECT DOTTED LINE ON UNITS WITHOUT ADJUSTABLE THERMO CONTROL

CHECK MOTOR DATA PLATE FOR CORRECT WIRING.

COLOR CODE:
B-BLACK
W-WHITE
G-GREEN
R-RED
O-ORANGE

JW 401 ELHV WIRING DIAGRAM DOUBLE POLE SWITCH W/ OPTIONAL ADJUSTABLE THERMO CONTROL