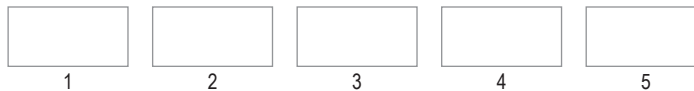


Fabricated with a white powder coat finish the 229H Series is ideal for a variety of industrial lighting needs. A unique hinged ballast cover provides easy access to internal wiring and ballast for installation or service without the need to remove lamps. The 229H uses a 5 Ft. 3-wire whip which reduces installation time by not having to open the fixture. Available in T8, T8HO, or T5HO lamps. Lamps not included.



1 SERIES	2 LAMP TYPE	3 LAMP QUANTITY	4 VOLTAGE	5 OPTIONS
229H	T5HO: 54W T8: 32W* T8HO: 44W	4L: 4 lamp 3L: 3 lamp 2L: 2 lamp	120-277: 120-277V 347-480: 347-480V (T5HO ONLY)	WG: Zinc plated wire guard** A: Pattern 12 acrylic diffuser*** EM: Battery/Driver Backup (90 Min.) **Must be installed at the factory ***Diffuser is only available in 32W T8

Notes:

(Multiple voltages available, consult factory)

*Normally stocked fixture (Consult factory for lead time on non-stock products.)

CERTIFICATIONS

UL 1598

CSA 22.2 No. 250.0

FEATURES

Heavy duty open industrial fixture

Hinged ballast plate allows for the fixture to be lamped prior to installation

Sturdy 20 gauge steel with a white powder coat finish

ELECTRICAL

Utilizes 32, 44, and 54 watt 4 Ft. lamps

Available in universal and 347 Volts electronic ballasts

(Other voltages available, consult factory)

OPTIONS

A: Pattern 12 acrylic diffuser available in 32W T8 only

WG: Zinc plated wire guard (factory installed)

EM: Emergency battery backup ballast

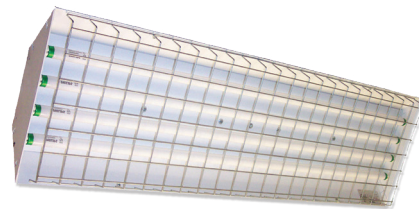
120 or 277V - MUST SPECIFY

2 or 3 Lamp options.

(lamps sold separately)

Mounting Kits - ordered separately

Chain hanging kit - #3218

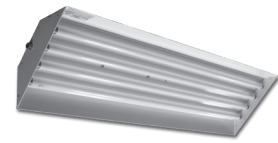


WG: Zinc plated wire guard option

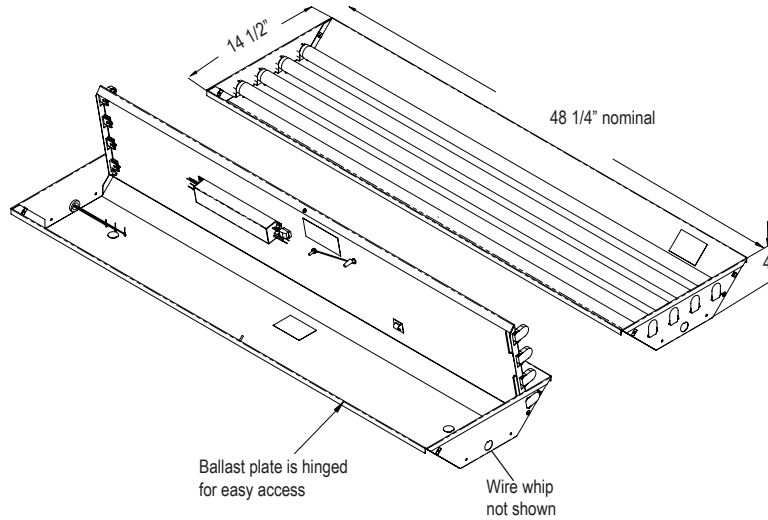
229H

GENERAL INDUSTRIAL LIGHTING

Paint Booths (Outside behind glass panel) • Assembly Areas • Task Lighting



DIMENSIONS



MOUNTING

PN: 3218 Chain hang kit

